

- Lead Paint Management
- Pressure Cleaners
- Natural Paint Stripper

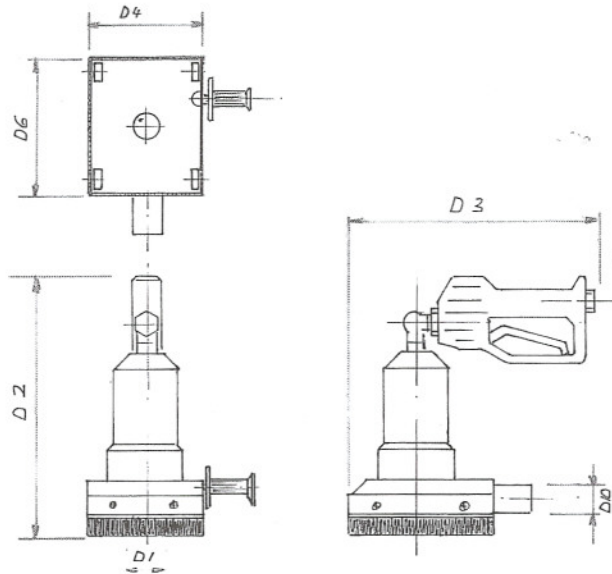
- Captive Water Blasting Systems
- Patented Vortex Cleaning Process
- Captive Water Rinsing Systems



"BLUE VAC" HAND-HELD, FLAT SURFACE PAINT SHREDDER

with Dirtkiller nozzle and Suction

Part No. 610: 500psi to 2500psi



D1: Cleaning width 50mm
 D2: 275mm
 D3: 300mm

D4 : 150mm
 D6: 170mm
 D10: Ø 38mm

Nozzle sizes: 045 (other sizes on request)

Nozzle to floor distance: 120mm

Technical Data

Throughput Medium :	Water, cleaning additive, pH 3-12	Flow Rate :	Depending on pump performance
Pressure :	220 bar	Body :	Stainless steel, polished
Temperature :	70°C	Dimensions :	See chart
R.P.M. :	Depending on pressure / flow		

Telephone (02) 9438 2047 Facsimile (02) 9906 3328

A Division of Let's Clean Pty Ltd. ABN 68 003 272 811

3/93 Greenwich Road, Greenwich 2065 or PO Box 36, Artarmon NSW 2064 Australia

Member of • MPA - Master Painters Australia • SACCI - Chamber of Commerce and Industry

Visit our website
www.lets-clean.com.au